
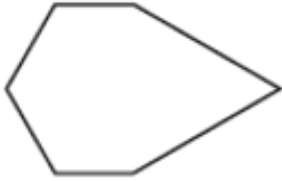

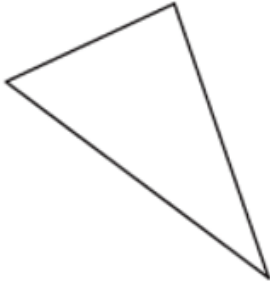
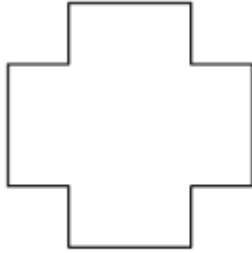



4.2 Reflectional/Line Symmetry p. 180 #25-31

In exercises 25-30, determine whether the figure has line symmetry. If so, draw the line(s) of symmetry.

<p>25)</p> 	<p>26)</p> 	<p>27)</p> 
<p>28)</p> 	<p>29)</p> 	<p>30)</p> 

31. Describe the line symmetry, if any, of each word:

**a. LOOK**

**b. OX**

Extra question:

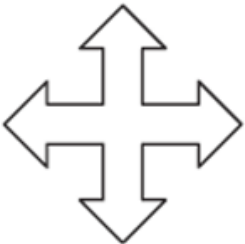


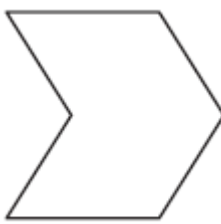

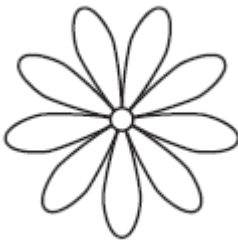
Draw or paste three company logos that have reflectional/line symmetry and draw the symmetry lines.

State the name of the company below the logo.

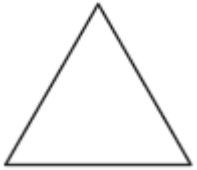

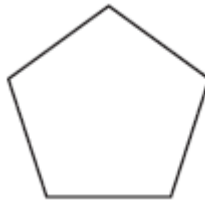

--	--	--

4.3 Rotational Symmetry p. 190 #29-38

In exercises 29-34, determine whether the figure has rotational symmetry. If so, identify the order of rotational symmetry of the figure.

<p>29)</p> 	<p>30)</p> 	<p>31)</p> 
<p>32)</p> 	<p>33)</p> 	<p>34)</p> 

**College Prep** (Multiselect) In exercises 35-38, select all angles of counterclockwise rotation about the center of the regular polygon that map the polygon onto itself.

a) 30°	b) 45°	c) 60°	d) 72°	e) 90°	f) 120°	g) 144°	h) 180°
<p>35)</p> 	<p>36)</p> 		<p>37)</p> 		<p>38)</p> 		

Extra question:

Draw or paste 3 company logos that have rotational symmetry and state the first counterclockwise angle of rotation that would map the image onto itself. State the name of the company below the logo.

--	--	--

