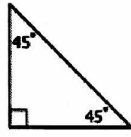
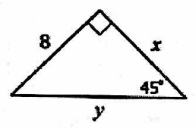
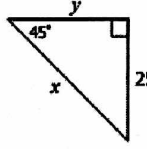
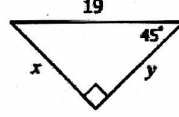


**Special Right Triangles -13.3**

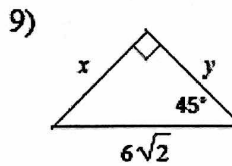
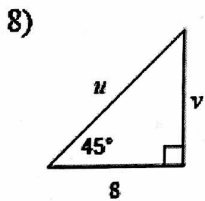
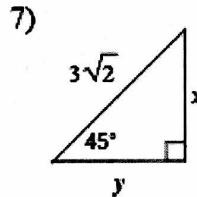
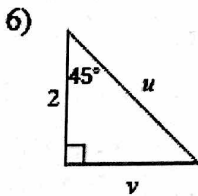
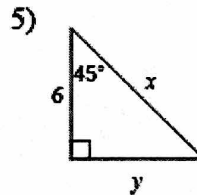
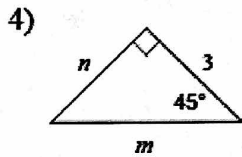
Name: \_\_\_\_\_

45-45-90

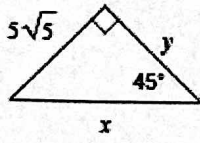
Date: \_\_\_\_\_ Period: \_\_\_\_\_

Main Ideas/Questions	Notes	
<p style="text-align: center;"><b>45°-45°-90° Special Right Δ</b></p>	<div style="display: flex; align-items: center;">  <ul style="list-style-type: none"> <li>• Leg = _____</li> <li>• Hypotenuse = _____</li> </ul> </div> <div style="border: 1px dashed black; padding: 5px; margin-top: 10px; width: fit-content;"> <p>The legs of a 45°-45°-90° triangle are always congruent.</p> </div>	
<p><b>Practical</b> Find the value of each missing variable.</p>		
<p>1.</p>  <p style="text-align: right; margin-right: 50px;">x = _____ y = _____</p>	<p>2.</p>  <p style="text-align: right; margin-right: 50px;">x = _____ y = _____</p>	<p>3.</p>  <p style="text-align: right; margin-right: 50px;">x = _____ y = _____</p>

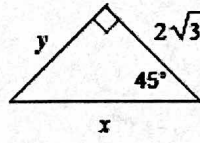
**Find the missing side lengths. Leave your answers as radicals in simplest form.**



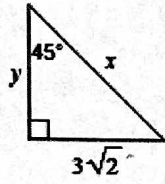
10)



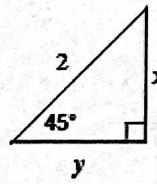
11)



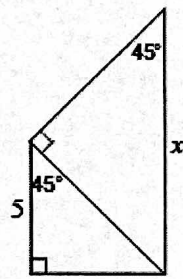
12)



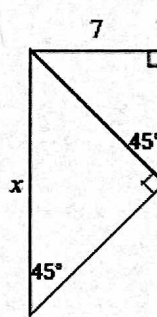
13)



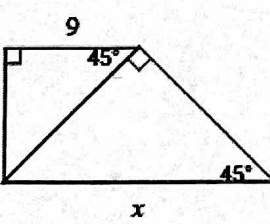
14)



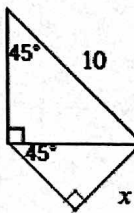
15)



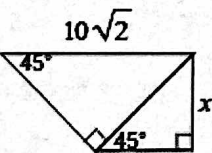
16)



17)



18)



19)

